

PRODUCT INFORMATION PACKET



Model No: 131542.00
Catalog No: 131542.00
3 HP Agricultural Motor, 1 phase, 1800 RPM, 230 V, 184T Frame, TEFC
Agricultural Motors



Regal and Leeson are trademarks of Regal Beloit Corporation or one of its affiliated companies.
©2020 Regal Beloit Corporation, All Rights Reserved. MC017097E





Nameplate Specifications

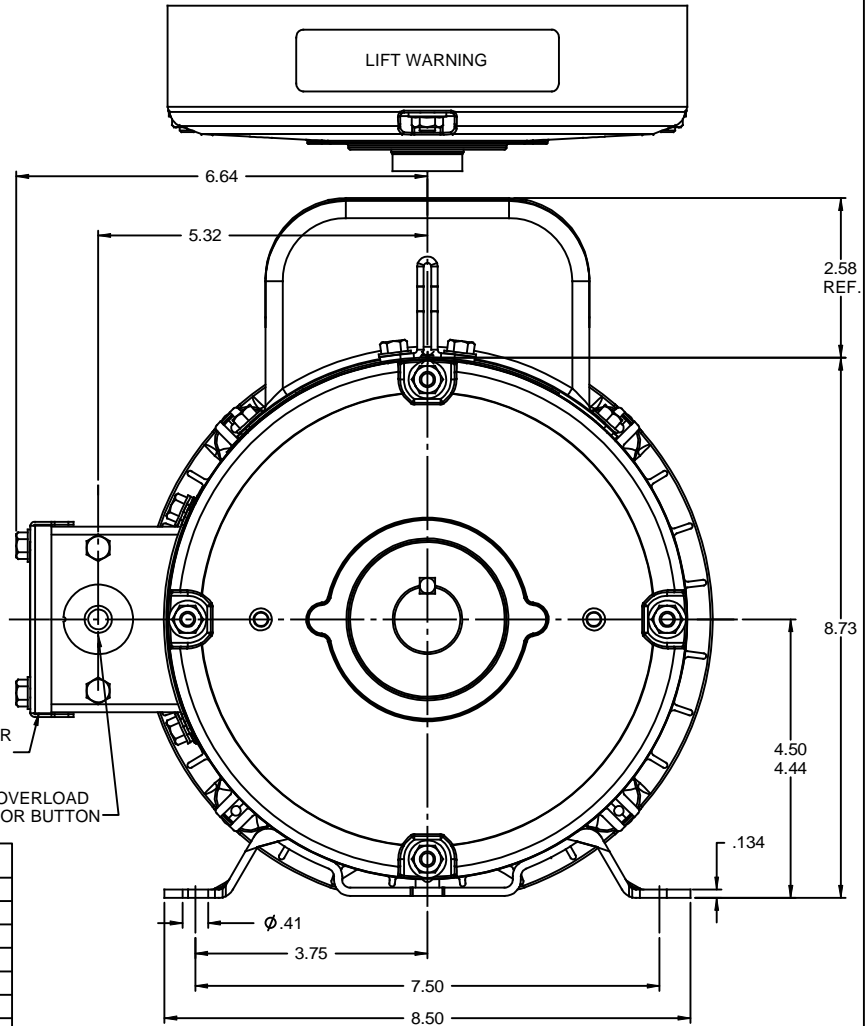
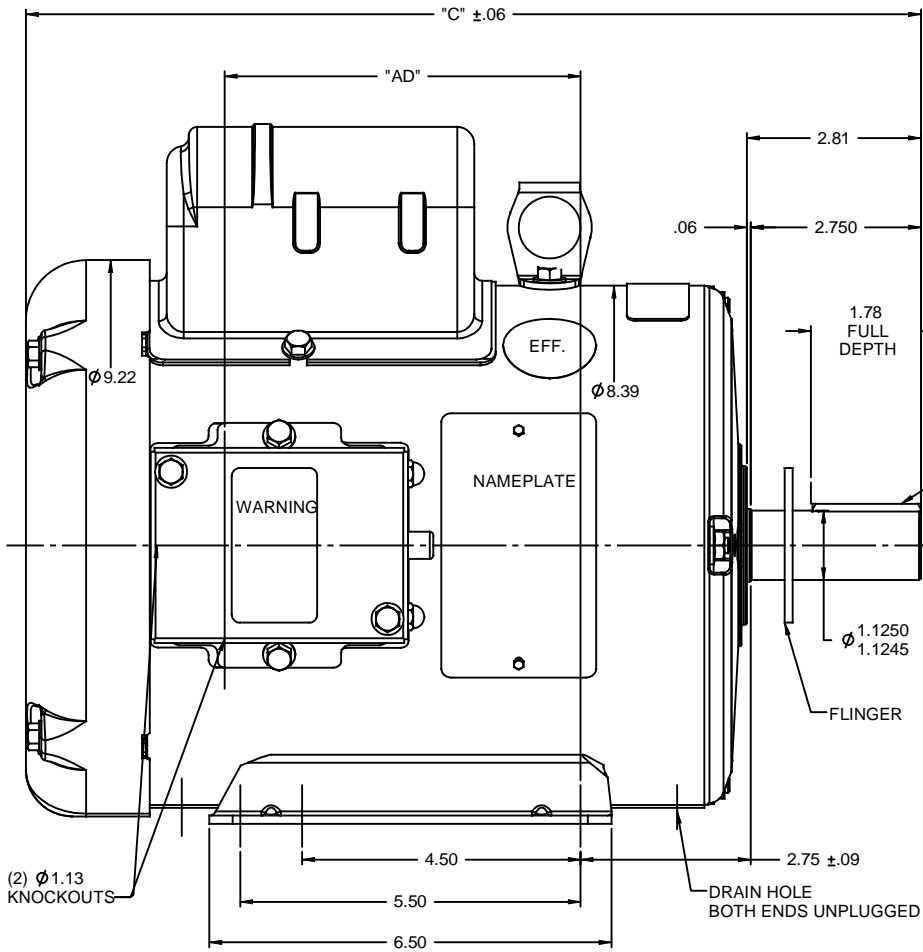
Output HP	3 Hp	Output KW	2.2 kW
Frequency	60 Hz	Voltage	230 V
Current	19.0 A	Speed	1740 rpm
Service Factor	1.15	Phase	1
Efficiency	75.5 %	Power Factor	68
Duty	Continuous	Insulation Class	F
Design Code	L	KVA Code	K
Frame	184T	Enclosure	Totally Enclosed Fan Cooled
Thermal Protection	Manual	Ambient Temperature	40 °C
Drive End Bearing Size	6206	Opp Drive End Bearing Size	6205
UL	Recognized	CSA	Y
CE	N	IP Code	43

Technical Specifications

Electrical Type	Capacitor Start Induction Run	Starting Method	Across The Line
Poles	4	Rotation	Selective Counterclockwise
Resistance Main	.498 Ohms	Mounting	Rigid Base
Motor Orientation	Horizontal	Drive End Bearing	Ball
Opp Drive End Bearing	Ball	Frame Material	Rolled Steel
Shaft Type	T	Overall Length	16.46 in
Frame Length	11.00 in	Shaft Diameter	1.125 in
Shaft Extension	2.75 in	Assembly/Box Mounting	F1 ONLY
Connection Drawing	005110.01	Outline Drawing	035748-1100

This is an uncontrolled document once printed or downloaded and is subject to change without notice. Date Created:27/05/2020

RBC PROPRIETARY AND CONFIDENTIAL INFORMATION
 This document is the property of REGAL BELOIT CORPORATION ("RBC") including its subsidiaries and divisions and contains proprietary information of RBC. This document is loaned on the express condition that neither it nor the information contained therein shall be disclosed to others without the express written consent of RBC, and that the information shall be used by the recipient only as approved expressly by RBC. This document shall be returned to RBC upon its request. This document may be subject to certain restrictions under U.S. export control laws and regulations.



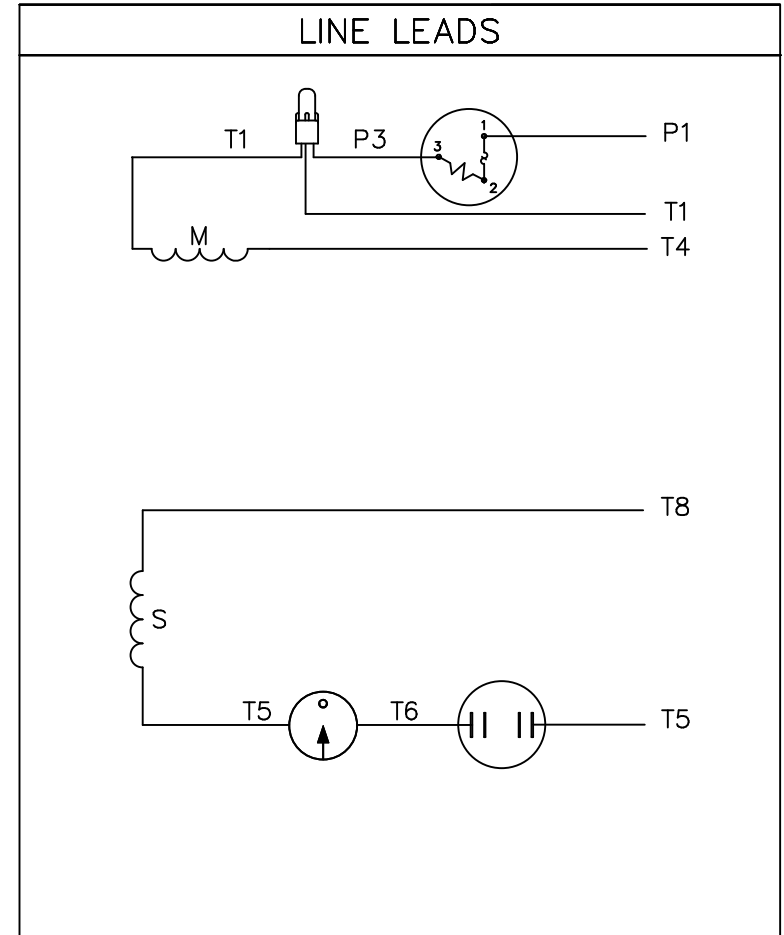
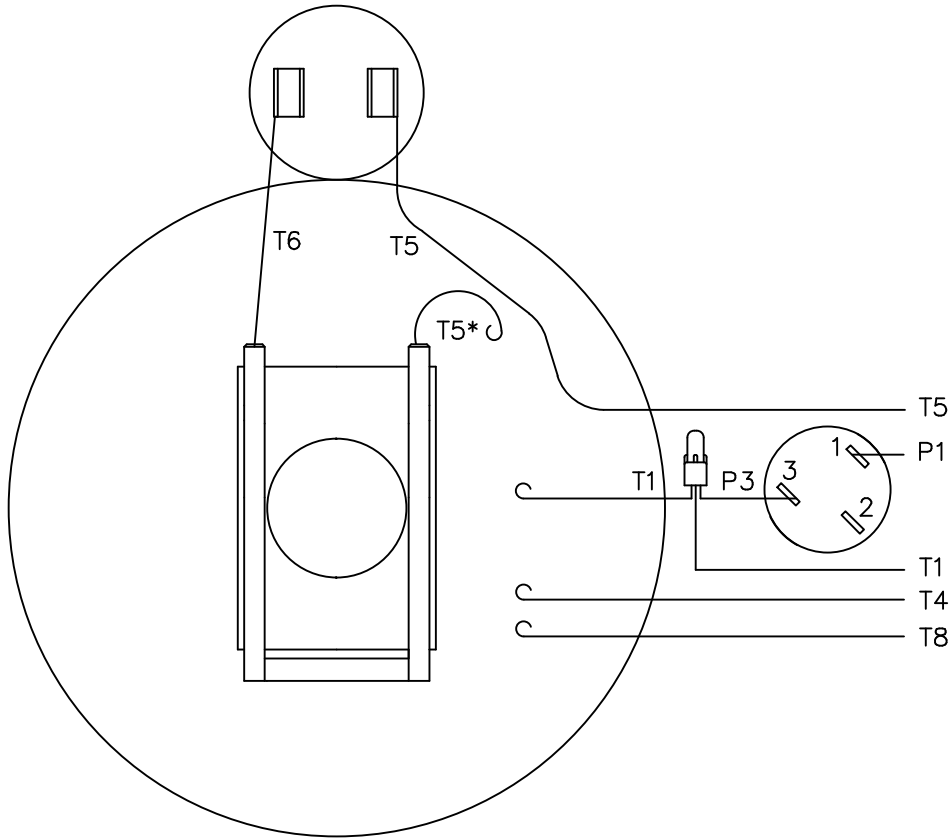
DASH NO.	"C"	"AD"
850	13.96	5.25
900	14.46	5.75
950	14.96	6.25
1000	15.46	6.75
1050	15.96	7.25
1100	16.46	7.75
1150	16.96	8.25
1200	17.46	8.75

MOTOR SPECIAL FEATURES:

- GASKETS THROUGHOUT
- DRAIN HOLE IN FRAME BOTH ENDS UNPLUGGED
- BRASS NAMEPLATE
- MANUAL RESET OVERLOAD PROTECTOR
- DOUBLE SEALED BALL BEARINGS
- FLINGER

		TOLERANCES UNLESS SPECIFIED:		DRAWN LST 1/6/10	
		DEC INCHES		CHK	
		X ±.1		APPR	
		XX ±.03		TITLE OUTLINE - 184T FRAME	
		XXX ±.005		TEFC - RIGID	
		XXXX ±.0005		MAT'L FARM DUTY	
NO		REVISION		BY & DATE	
		THIRD ANGLE PROJECTION		CHK ANG ±1/2°	
		RFP		FINISH	
		PREV		SIZE DRAWING NO	
		NETWORK FILE NAME		B 035748	
				PAGE OF	
				REV	

VIEW FROM OUTSIDE OF MOTOR AT SWITCH END.



ROTATION FACING LEAD END	L1	L2	JOIN & INSULATE
C.C.W.	P1	T4, T5	T1, T8
C.W.	P1	T4, T8	T1, T5

* THIS LEAD MAY BE WHITE

NO.	REVISION	BY & DATE	CHK	TOLERANCES UNLESS SPECIFIED	
				DEC.	INCHES
10	ALTERNATE T5 LEAD MARKING WAS RED	RLW 8/6/02		.X	±.1
09	ADDED ALTERNATE T5 LEAD MARKING	RLW 6/5/02	KH	.XX	±.01
08	ADDED MISSING "T4" LEAD FROM EB VIEW	DBT 09/22/97	PG	.XXX	±.005
07	REDRAWN ON CAD	DBT 06/24/97		.XXXX	±.0005
				ANG	±1/2°



ELECTRIC MOTORS
GEARMOTORS
AND DRIVES

DRAWN	JRW 10/21/75
CHK	TEM
APPD	10/23/75
SCALE	1=1
REF	005105
FMF	W-C63236-2
PREV	

TITLE	EXTERNAL WIRING DIAGRAM TYPE "C" W/ PROTECTOR
MAT'L.	DECAL - 004015
FINISH	

THIS DRAWING IN DESIGN AND DETAIL IS OUR PROPERTY AND MUST NOT BE USED EXCEPT IN CONNECTION WITH OUR WORK ALL RIGHTS OF DESIGN AND INVENTION ARE RESERVED THIS IS AN ELECTRONICALLY GENERATED DOCUMENT - DO NOT SCALE THIS PRINT

RFP	CAD FILE	00511001	SIZE	DRAWING NO.	REV.
DIST NLV			A	005110-01	10